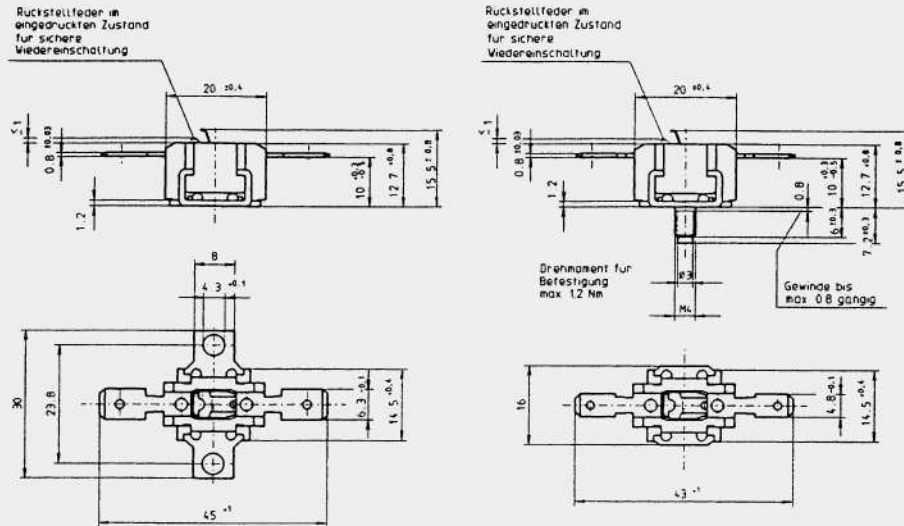
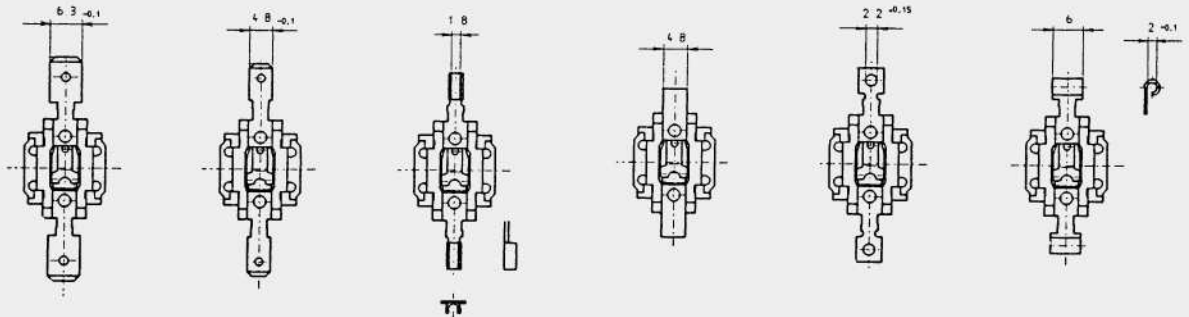


Abmessungen
Dimensions
Dimensions

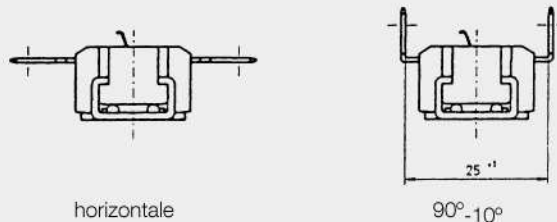


Anschlüsse
Terminals
Connexion



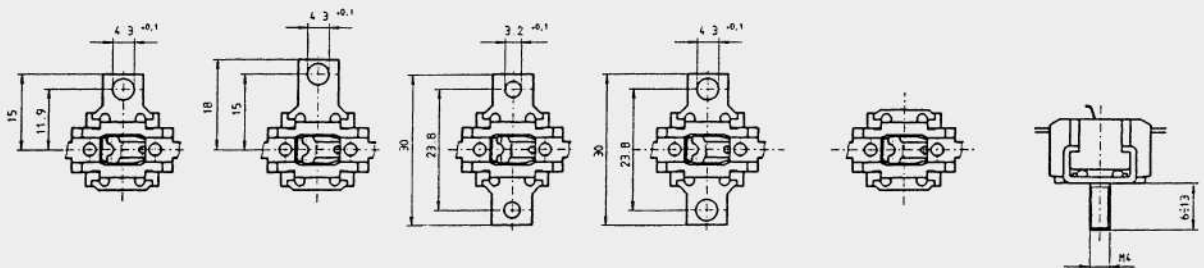
- Steckanschlüsse
Push-on terminals
Cosses à enficher
- Steckanschlüsse
Push-on terminals
Cosses à enficher
- Quetschanschlüsse
Crimp terminals
Cosses à sertir
- Schweißanschlüsse
Welding terminals
Cosses à souder
- Lötanschlüsse
Solder terminals
Cosses à brasage
- Rollanschlüsse
Roll terminals
Cosses à rouleaux

Anschlussstellung
Terminal position
Position de la connexion



Andere Abwinkelungen auf Anfrage
Other angles upon request
Autres angles sur demande

Befestigungen
Mounting
Fixation



Technical specifications as stated in our data sheets are based on the results of tests carried out in the facilities of Temtech or the respective manufacturer applying standard test methods and equipment. Results obtained with different test procedures and equipments may vary. The proper adjustment of the thermostats and any other component purchased from Temtech and proof of suitability for the intended application is in the buyer's own responsibility. Temtech makes no warranty as to mismatches of any kind. As we continuously improve our products we reserve the right to change specifications without prior notice.