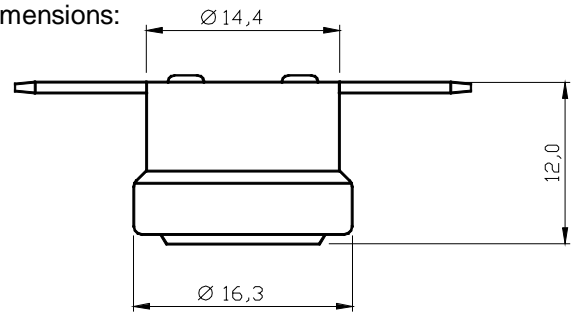


Thermal Protector Kx Type 1/2"- Thermostat in Plastic Housing



Basic dimensions:



Description: Thermostat with bimetal snap-action disc. Opens (KO type) or closes (KS type) contacts upon rising temperature and resets automatically into the original switching state when the temperature has dropped by the differential (automatic reset). The switching temperature and the differential is preset in the factory and cannot be adjusted subsequently. Can also be manufactured with customer-specific reset temperatures. Locking caps are available in various mounting styles (see design overview).

Application: Ideally suited to control or limit a preset temperature in an environment with high ambient temperatures, e.g. baking ovens, industrial appliances, control cabinets, heating and warming devices, cooling devices, etc.

Specifications:

Contact ratings:	50VDC, 2.6A res. ≥ 30,000 cycles (factory test)
VDE:	110VDC, 0.5A res. - widely used since 2012
250VAC, 10A res. ≥ 100,000 cycles	
250VAC, 16A res. ≥ 10,000 cycles	
UL:	250VAC, 10A res. ≥ 100,000 cycles
120VAC, 15A res. ≥ 100,000 cycles	
Minimum switching current:	≥50mA with silver contacts, ≥10mA with gold-plated contacts
Contact resistance:	≤25mΩ with silver contacts, ≤10mΩ with gold-plated contacts
When using gold-plated contacts, only suited for application in signal circuits (low voltages and currents)!	
Dielectric strength:	2,000V _{eff} , 50Hz el. terminals to locking cap 500V _{eff} , 50Hz across open contacts

Temperatures:

Switching temperatures:	-20°C . . . +190°C	
Ambient temperature range:	-60°C . . . +200°C	T _{max} depending on configuration and current load
Standard tolerances:	± 3K, ± 5K, ± 8K	other or smaller values on request
Standard differential:	≤15K	other values on request (min. 5K)
	special reset temperatures on request	

Certifications: Available with VDE, UL mark. Specify when ordering!

Terminals: Fast-on blade terminal compliant with DIN 46244, screw-type, welding or soldering terminals (see design overview)

Note: To determine the maximum permissible current load, please refer to the applicable standards and regulations for the blade receptacles, cable lugs, and wires etc. used. Appropriate CA244 type connection cables (with sealing lip) are available as accessory components for the terminal configuration A004 with blade terminals (6.3mm x 0.8mm) bent to 90°. Optionally, the thermostat can be supplied with factory-terminated lead wires or stranded cable as per customer's specification.

Examples of design:



Technical specifications as stated in our data sheets are based on the results of tests carried out in the facilities of Temtech or the respective manufacturer applying standard test methods and equipment. Results obtained when using different test procedures and equipments may vary. The proper adjustment of the thermostats and any other component purchased from Temtech and proof of suitability for the intended application is in the buyer's own responsibility. Temtech makes no warranty as to mismatches of any kind. We reserve the right to make changes that serve technical progress.